

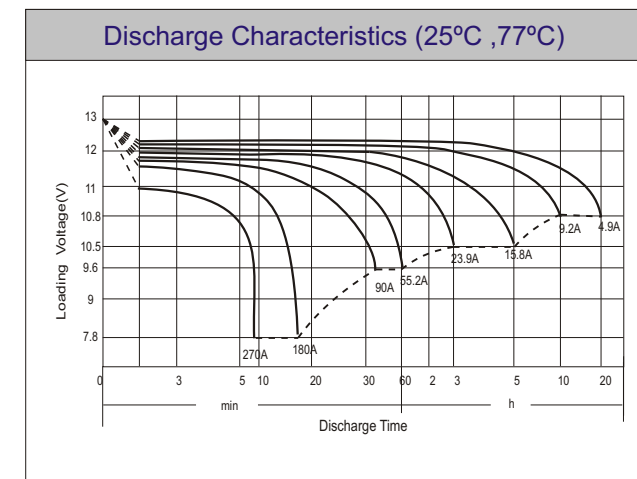
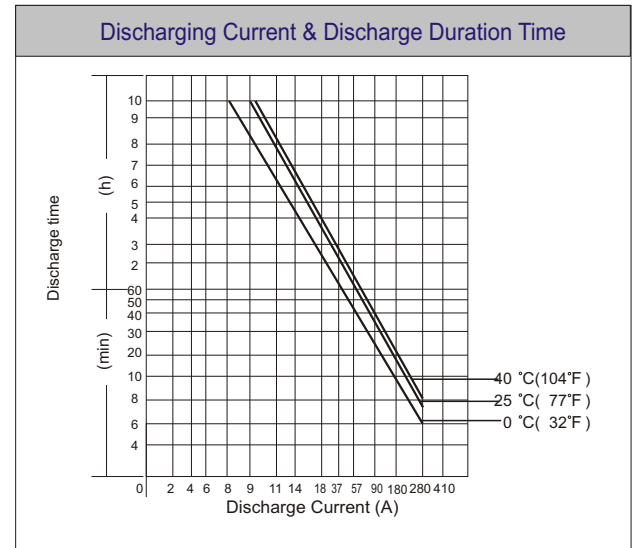
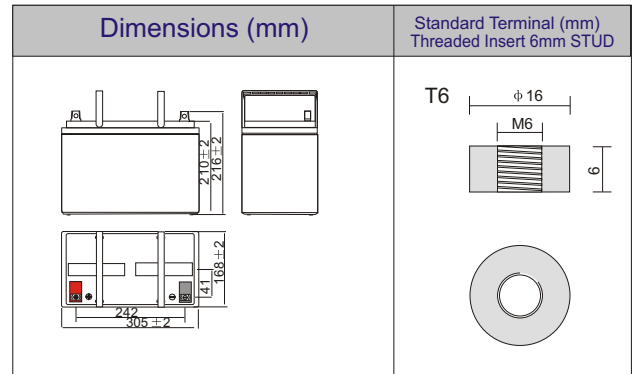


**POWER-GUARD SERIES®**



**PG12V100H**

VRLA Sealed Long Life Battery



Physical Specification		
Nominal Voltage		12V
Nominal Capacity (20HR)		98AH
Dimension	Length	305±2mm (12.01 inches)
	Width	168±2mm (6.61 inches)
	Container Height	210±2mm (8.27 inches)
	Total Height (with Terminal)	216±2mm (9.06 inches)
Weight		Approx 30kg (66.2lbs)
Standard Terminal		T6 Threaded Insert 6mm STUD

Electrical Specification					
Rated Capacity	20 hour rate (4.90 A)	98AH	Constant-Voltage	Cycle	Initial Charging Current less than 27A. Voltage 14.4V~15.0V at 25°C (77°F) Temp. Coefficient -30mV/C
	10 hour rate (9.20 A)	92AH			
	5 hour rate (15.8 A)	79AH			
	3 hour rate (23.9 A)	71.7AH			
Capacity affected by Temperature	1 hour rate (55.2A)	55.2AH	Charge	Standby	No limit on Initial Charging Current Voltage 13.5V~13.8V at 25°C(77°F) Temp. Coefficient - 20mV/°C
	40°C (104°F)	103%			
	25°C (77°F)	100%			
	0°C (32°F)	86%			

Constant Current (Amp) and Constant Power (Watt) Discharge Table (25°C, 77°F)														
Time(minute) Final voltage	10	15	20	30	45	60	120	180	240	300	360	480	600	1200
	1.3	1.3	1.3	1.6	1.6	1.67	1.7	1.75	1.75	1.75	1.75	1.8	1.8	1.8
Amp/Watt/Cell														
Amps	230.0	174.8	138.0	105.8	73.6	55.2	32.2	23.9	18.4	15.8	14.0	10.9	9.2	4.9
W/Cell	432.4	331.2	270.5	199.6	146.3	109.3	64.0	47.7	36.7	31.6	28.0	21.9	18.4	9.8